

Ecogreen®

Air Handlers

Air Handling Unit ECCAM

Mexico 01 800 9675 247

Toll free USA & Canada 1 (888) 241 1577



The Highest Efficiency Reliable
Systems Cooling Solutions



www.ecochillers.net

Air Handling Unit ECCAM

Mexico 01 800 9675 247

Toll free USA & Canada 1 (888) 241 1577

ECCAM Ceiling Mounted AHU:

-Air flow range:1500-15000m³/h

-10 models

-Power supply

380~415/3/50Hz

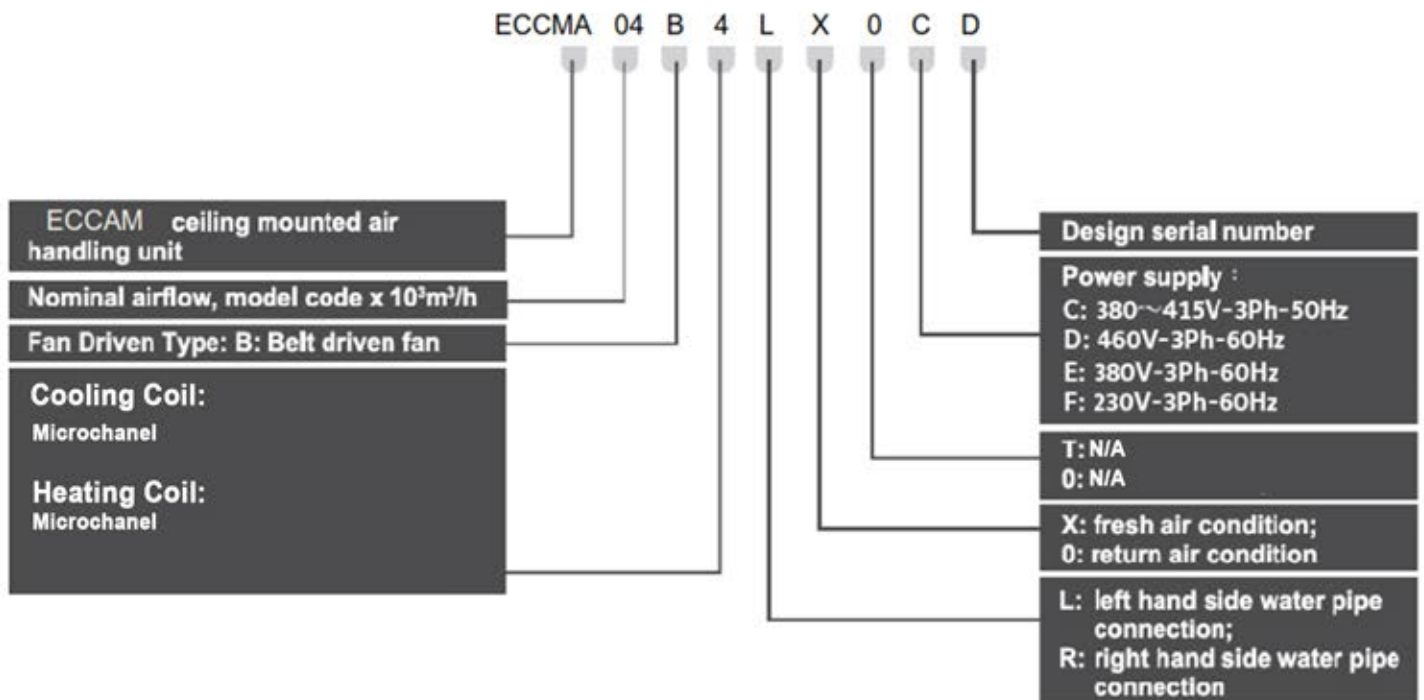
460/3/60Hz

380/3/60Hz

230/3/60Hz



Nomenclature



*restrictions may apply

Feature

- Elegant design
- Stability
- High heat exchange efficiency
- Quiet operation
- Flexible design
- Easy installation and maintenance
- Easy drainage
- Mti More options
- Quality assurance

Elegant design

All panels are made of high quality galvanized steel.

Smooth surface, elegant profile and no fixings.

Stability

Ceiling-mounted design with firm and stability frame.

Galvanized steel with 15mm fiberglass inner heat insulation.

High heat exchange efficiency

Coil is made of microchannel and corrugated fins.

- To achieve high exchange efficiency.
- With long lifespan.

Quiet operation

Each fan has been dynamically and statically balanced.

Low noise motor with belt driven.

Less vibration.

Flexible design

Optimized design for different return air condition and fresh air condition application

Easy installation and maintenance

Small footprint

The internal structure has been designed using computer-aided design software, giving the units a small installation footprint.

Low height

For 1500-4000m³/h air flow, the unit height is 417mm.

For 5000-8000m³/h air flow, the unit height is 508mm.

Each unit provides two installation options - duct type and non-duct Type.

Filter can be pulled out easily from side or bottom.

*restrictions may apply

Air Handling Unit ECCAM

Mexico 01 800 9675 247

Toll free USA & Canada 1 (888) 241 1577

Easy drainage

Integral dry pan design.

Dry pan allows quick and easy drainage of condensation.

Dry pan is made of high quality anticorrosive painted steel.

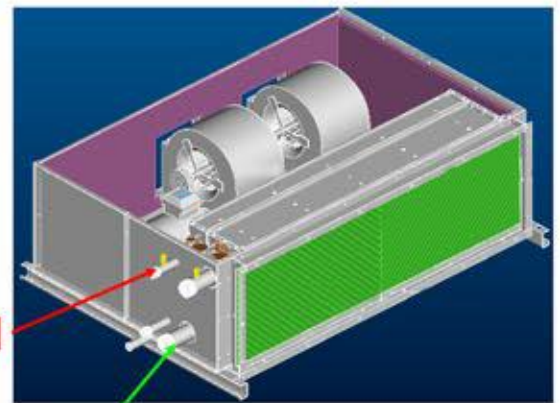
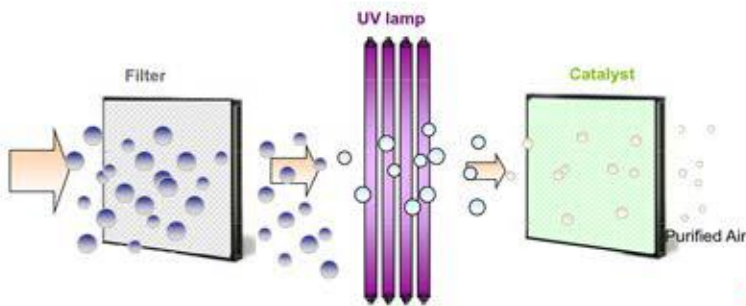
More options

Four Pipe unit application - split coil (cooling + heating coil)

Frequent switch between cooling and heating condition.

Cooling and heating application at the same time.

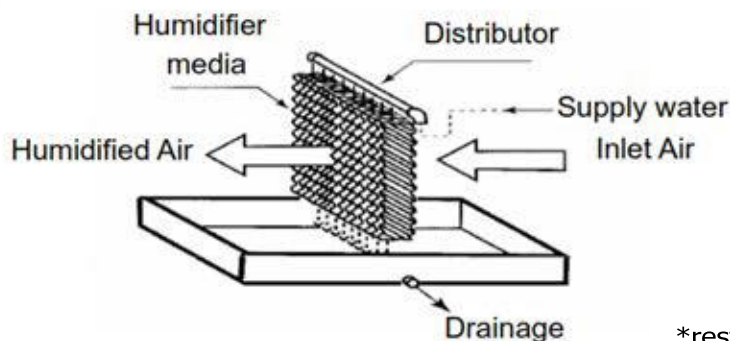
More Options



More options

Evaporative humidifier

- Cleanness.
- Space saving.
- High saturation efficiency High saturation efficiency.



*restrictions may apply