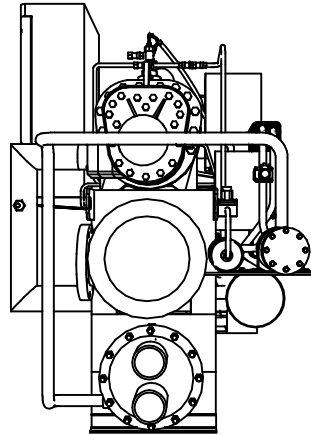
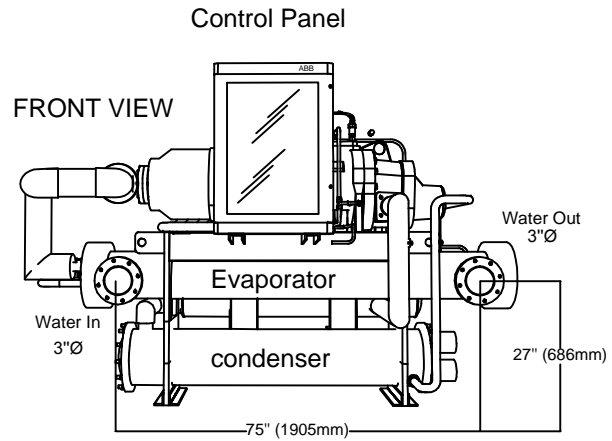
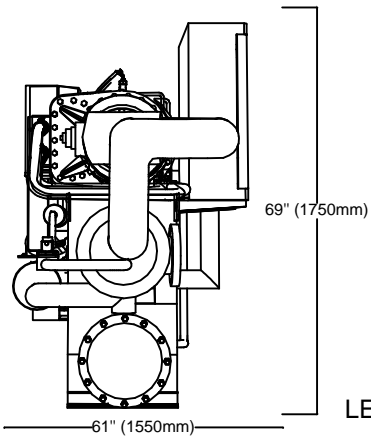
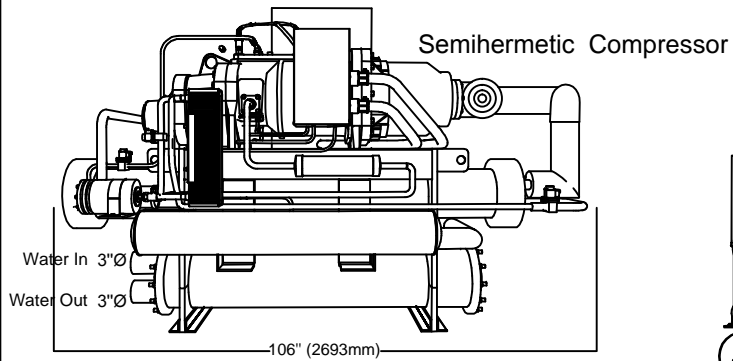


RIGHT VIEW



DATA	
Model	ECCLWSH360ST
Capacity Ton.	30 TR.
Voltage	230-460-575 V
Refrigerant	R410A
Compressor	Semihermetic
Evaporator	Shell and Tube
Condenser	Shell and Tube

REAR VIEW



LEFT VIEW

