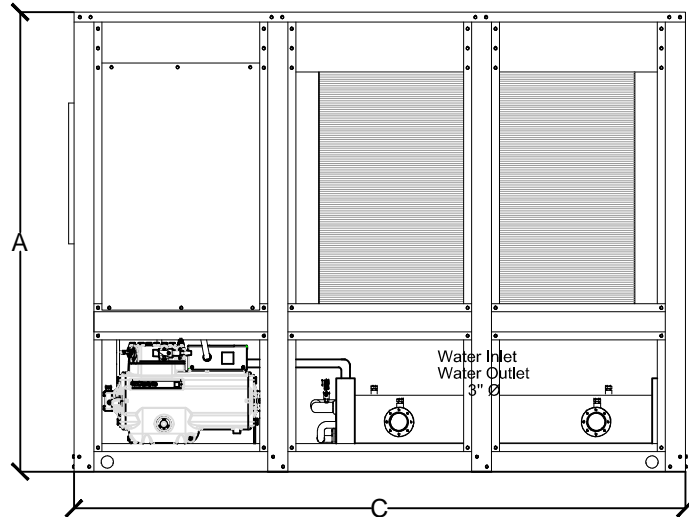
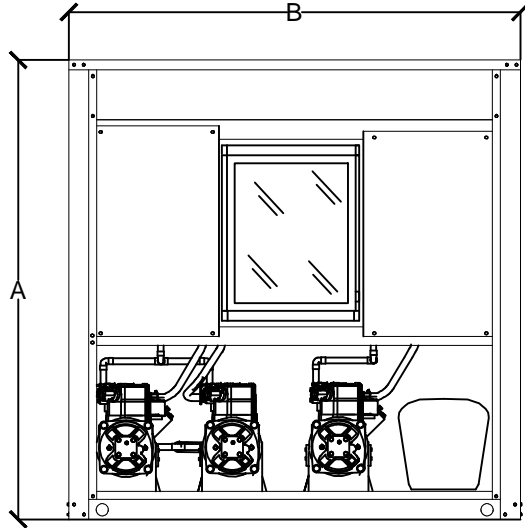
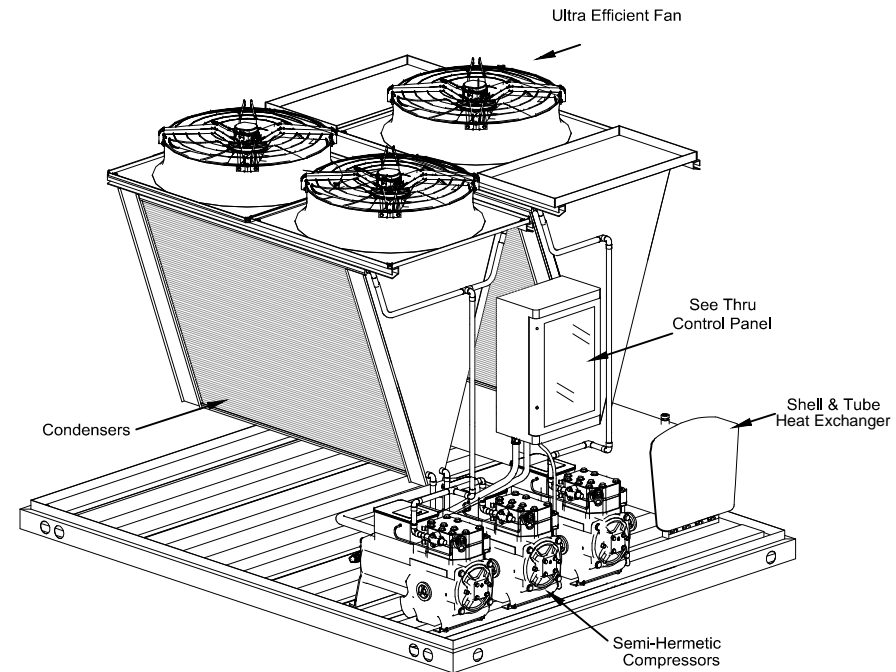


NOTES:  
 1. PLACEMENT ON A LEVEL SURFACE FREE OF OBSTRUCTIONS (INCLUDING SNOW, FOR WINTER OPERATION) OR AIR RECIRCULATION ENSURES RATED PERFORMANCE, RELIABLE OPERATION AND EASE OF MAINTENANCE. SITE RESTRICTIONS MAY COMPROMISE MINIMUM CLEARANCES INDICATED BELOW, RESULTING IN UNPREDICTABLE AIR FLOW PATTERNS AND POSSIBLE DIMINISHED PERFORMANCE. ECO CHILLERS WILL OPTIMIZE OPERATION WITHOUT NUISANCE HIGH PRESSURE SAFETY CUTOFF; HOWEVER, THE SYSTEM DESIGNER MUST CONSIDER POTENTIAL PERFORMANCE DEGRADATION. ACCESS TO THE UNIT CONTROL CENTER ASSUMES THE UNIT IS NO HIGHER THAN ON SPRING ISOLATORS. RECOMMENDED MINIMUM CLEARANCES: SIDE TO WALL - 4' ; REAR TO WALL - 4' ; CONTROL PANEL END TO WALL - 4' ; TOP 120" - NO OBSTRUCTIONS ALLOWED; DISTANCE BETWEEN ADJACENT UNITS - 4' . NO MORE THAN ONE ADJACENT WALL MAY BE HIGHER THAN THE UNIT.



PHYSICAL DATA							
MODEL	T.R.	DIMENSIONS ( Inches / Millimeter )			AVAILABLE POWER SUPPLY	WEIGHT (Lb)	Water Inlet / Outlet Ø
		A	B	C			
ECCLASH540	45	90.5" / 2300 mm	89" / 2260 mm	120" / 3050 mm	208/230-3-60 380-3-50 460-3-60	4305	4"
ECCLASH605	50.4	90.5" / 2300 mm	89" / 2260 mm	120" / 3050 mm	575-3-60	4341	4"



IMPORTANT :  
 this drawing is illustrative only, certain dimensions and design can change without notice, for more information contact your sales representative.

**EcoChillers Inc.**

PRODUCT DRAWING  
 AIR COOLED SEMIHERMETIC CHILLER UNIT  
 MODELS : ECCLASH540 to ECCLASH605  
 NOT FOR CONSTRUCTION

Project name:  
 Location:  
 Engineer:  
 Contactor:

Sold to:  
 Cust Purch Order:  
 Contract:

Date: May 2014  
 Rev.: 1.0  
 Form.: ENGDEP-SU4-0414  
 Dwg.: S.G.R

**EcoGreen**<sup>®</sup>  
 Ultra<sup>®</sup>Series